

PROJECTION WELD NUT M12

AIR-COOLED

Item number example for a complete electrode



for sheet hole diameter > 14.4 mm



Change electrode SW 30 > 1111-ZK-10206



Centring pin long, Cerazur > 8228-ZK-10114



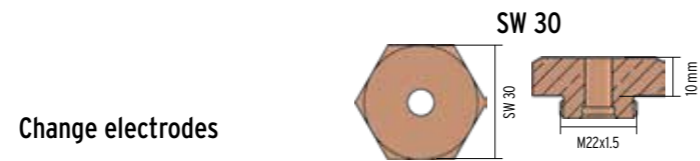
Spring for BE up to 40 mm > 1112-ZK-12207



Base electrode standard Ø 28, 40 mm length > 1111-ZK-10521



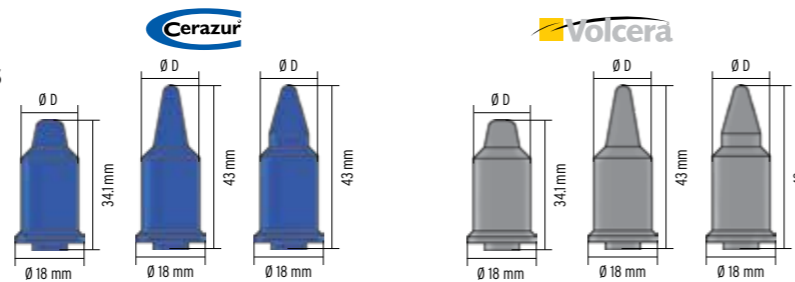
O-ring > 1123-ZK-16436



Change electrodes

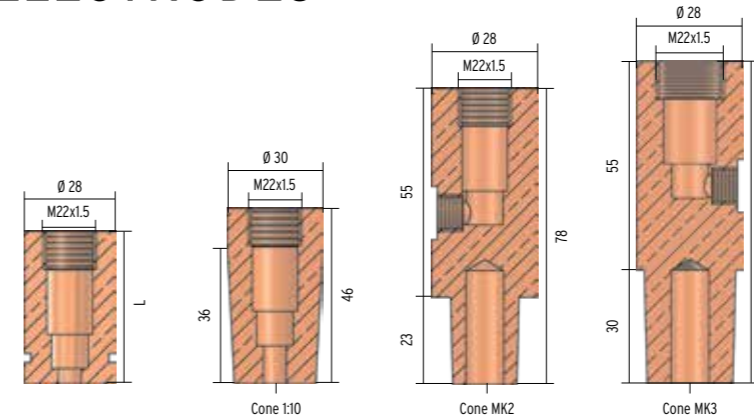
Item No.	SW 30		SW 30		SW 30	
	1111-ZK-		1111-ZK-		1111-ZK-	
13.0	10192	13.9	10201	14.8	10210	
13.1	10193	14.0	10202	14.9	10211	
13.2	10194	14.1	10203	15.0	10212	
13.3	10195	14.2	10204	15.1	10213	
13.4	10196	14.3	10205	15.2	10214	
13.5	10197	14.4	10206	15.3	10215	
13.6	10198	14.5	10207	15.4	10216	
13.7	10199	14.6	10208	15.5	10217	
13.8	10200	14.7	10209	-	-	

Centring pins

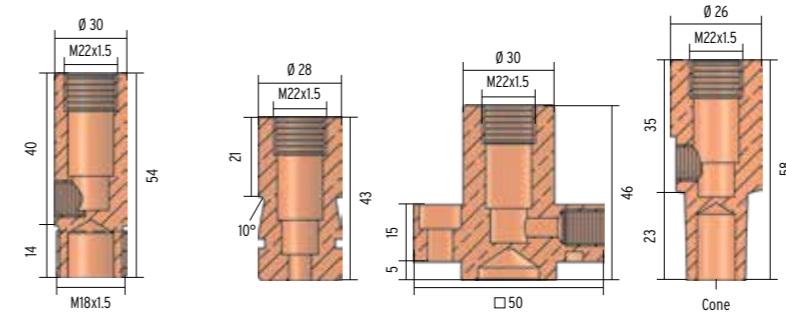


Item No.	Short			Long			With collar		
	8228-ZK-	8228-ZK-	8228-ZK-	8440-ZK-	8440-ZK-	8440-ZK-	8440-ZK-	8440-ZK-	8440-ZK-
13.0	11100	10100	10400	13.0	11100	10100	10400		
13.1	11101	10101	10401	13.1	11101	10101	10401		
13.2	11102	10102	10402	13.2	11102	10102	10402		
13.3	11103	10103	10403	13.3	11103	10103	10403		
13.4	11104	10104	10404	13.4	11104	10104	10404		
13.5	11105	10105	10405	13.5	11105	10105	10405		
13.6	11106	10106	10406	13.6	11106	10106	10406		
13.7	11107	10107	10407	13.7	11107	10107	10407		
13.8	11108	10108	10408	13.8	11108	10108	10408		
13.9	11109	10109	10409	13.9	11109	10109	10409		
14.0	11110	10110	10410	14.0	11110	10110	10410		
14.1	11111	10111	10411	14.1	11111	10111	10411		
14.2	11112	10112	10412	14.2	11112	10112	10412		
14.3	11113	10113	10413	14.3	11113	10113	10413		
14.4	11114	10114	10414	14.4	11114	10114	10414		
14.5	11115	10115	10415	14.5	11115	10115	10415		
14.6	11116	10116	10416	14.6	11116	10116	10416		
14.7	11117	10117	10417	14.7	11117	10117	10417		
14.8	11118	10118	10418	14.8	11118	10118	10418		
14.9	11119	10119	10419	14.9	11119	10119	10419		
15.0	11120	10120	10420	15.0	11120	10120	10420		

BASE ELECTRODES



Length (L in mm)	Standard Ø 28		Cone 1:10		Cone MK2		Cone MK3	
	Item No.	1111-ZK-	1111-ZK-	1111-ZK-	1111-ZK-	1111-ZK-	1111-ZK-	1111-ZK-
40		10521	-	-	-	-	-	-
50		10522	-	-	-	-	-	-
60		10523	-	-	-	-	-	-
		-	10584	10546	10547			



Item No.	Thread M18x1.5		S-type		R-type		T-type	
	1111-ZK-		1111-ZK-		1111-ZK-		1111-ZK-	
		10564		10684		10622		10646

Accessories for base electrodes

Springs

For base electrodes from 40 mm

Length	Spring M12	
	Item No.	1112-ZK-
40 mm		12207

O-rings

Ø (mm)	O-rings M12	
	Item No.	1123-ZK-
28		16436
S-type		16436

Compressed air connector

Item No.	Compressed air connector 1/8-6	
	1116-ZK-	
		12353

Air-cooled complete electrode for projection nut welding

