

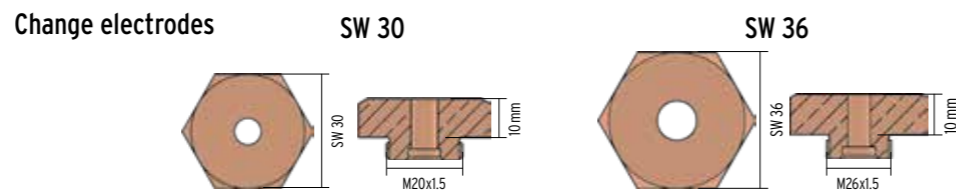
PROJECTION WELD NUT M4 TO M12

WATER-COOLED

Item number example for a complete electrode



- Benefits from the water-cooled electrode**
- > Direct heat dissipation due to central cooling in the hot area
 - > Permanently ensuring the heat resistance
 - > Compact design



Item No.	M4, M5		M6		M8		M10		M12	
	1111-ZK-	1111-ZK-	1111-ZK-	1111-ZK-	1111-ZK-	1111-ZK-	1111-ZK-	1111-ZK-	1111-ZK-	1111-ZK-
4.5	20000	6.5	20031	8.5	20104	11.0	20166	13.0	20192	
4.6	20001	6.6	20032	8.6	20105	11.1	20167	13.1	20193	
4.7	20002	6.7	20033	8.7	20106	11.2	20168	13.2	20194	
4.8	20003	6.8	20034	8.8	20107	11.3	20169	13.3	20195	
4.9	20004	6.9	20035	8.9	20108	11.4	20170	13.4	20196	
5.0	20005	7.0	20036	9.0	20109	11.5	20171	13.5	20197	
5.1	20006	7.1	20037	9.1	20110	11.6	20172	13.6	20198	
5.2	20007	7.2	20038	9.2	20111	11.7	20173	13.7	20199	
5.3	20008	7.3	20039	9.3	20112	11.8	20174	13.8	20200	
5.4	20009	7.4	20040	9.4	20113	11.9	20175	13.9	20201	
5.5	20010	7.5	20041	9.5	20114	12.0	20176	14.0	20202	
5.6	20011	7.6	20042	9.6	20115	12.1	20177	14.1	20203	
5.7	20012	7.7	20043	9.7	20116	12.2	20178	14.2	20204	
5.8	20013	7.8	20044	9.8	20117	12.3	20179	14.3	20205	
5.9	20014	7.9	20045	9.9	20118	12.4	20180	14.4	20206	
6.0	20015	8.0	20046	10.0	20119	12.5	20181	14.5	20207	
6.1	20016	8.1	20047	10.1	20120	12.6	20182	14.6	20208	
6.2	20017	8.2	20048	10.2	20121	12.7	20183	14.7	20209	
6.3	20018	8.3	20049	10.3	20122	12.8	20184	14.8	20210	
6.4	20019	8.4	20050	10.4	20123	12.9	20185	14.9	20211	
6.5	20020	8.5	20051	10.5	20124	13.0	20186	15.0	20212	
6.6	20021	8.6	20052	10.6	20125	13.1	20187	15.1	20213	
6.7	20022	8.7	20053	10.7	20126	13.2	20188	15.2	20214	
6.8	20023	8.8	20054	10.8	20127	13.3	20189	15.3	20215	
6.9	20024	8.9	20055	10.9	20128	13.4	20190	15.4	20216	
7.0	20025	9.0	20056	11.0	20129	13.5	20191	15.5	20217	
7.1	20026	-	-	11.1	20130	-	-	-	-	
7.2	20027	-	-	11.2	20131	-	-	-	-	
7.3	20028	-	-	11.3	20132	-	-	-	-	
7.4	20029	-	-	11.4	20133	-	-	-	-	
7.5	20030	-	-	11.5	20134	-	-	-	-	

Accessories for base electrodes

Springs

For base electrodes up to 30 mm and base electrodes from 40 mm

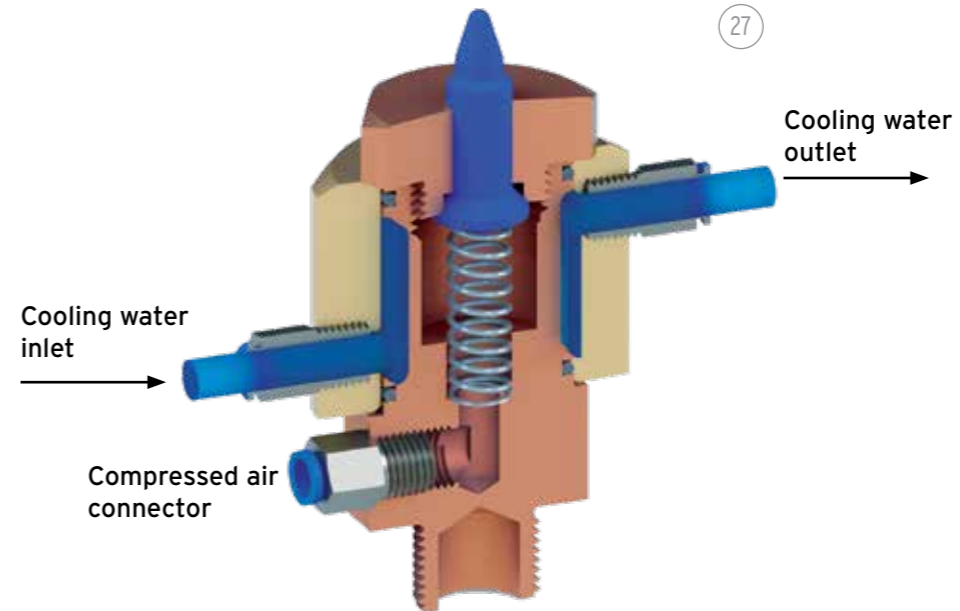
Length	M4		M5		M6		M8		M10		M12	
	Item No.	1112-ZK-	1112-ZK-	1112-ZK-	1112-ZK-	1112-ZK-	1112-ZK-	1112-ZK-	1112-ZK-	1112-ZK-	1112-ZK-	1112-ZK-
up to 30 mm		12205	12205	-	-	-	-	-	-	-	-	-
from 40 mm		12204	12204	12206	12206	12207	12207	12207	12207	12207	12207	12207

O-rings for base electrodes

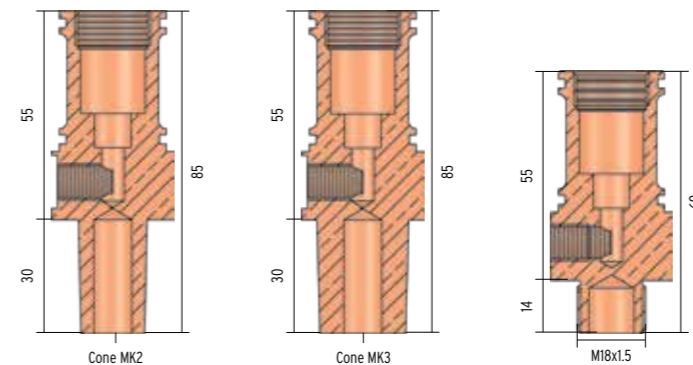
Ø (mm)	O-rings M4 to M12	
	Item No.	1123-ZK-
28		16436 (M4 to M8)
34		26187 (M10 to M12)

Compressed air connector

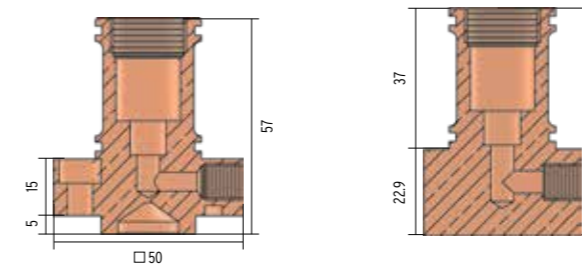
Compressed air connector 1/8-6	
Item No.	1116-ZK-
	12353



BASE ELECTRODES

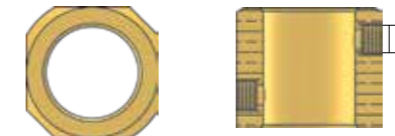


Item No.	Cone MK2		Cone MK3		Thread M18x1.5	
	1111-ZK-	1111-ZK-	1111-ZK-	1111-ZK-	1111-ZK-	1111-ZK-
M4, M5, M6, M8	20542	20543	20543	20544	20562	20563
M10, M12	20544	20545	20545			

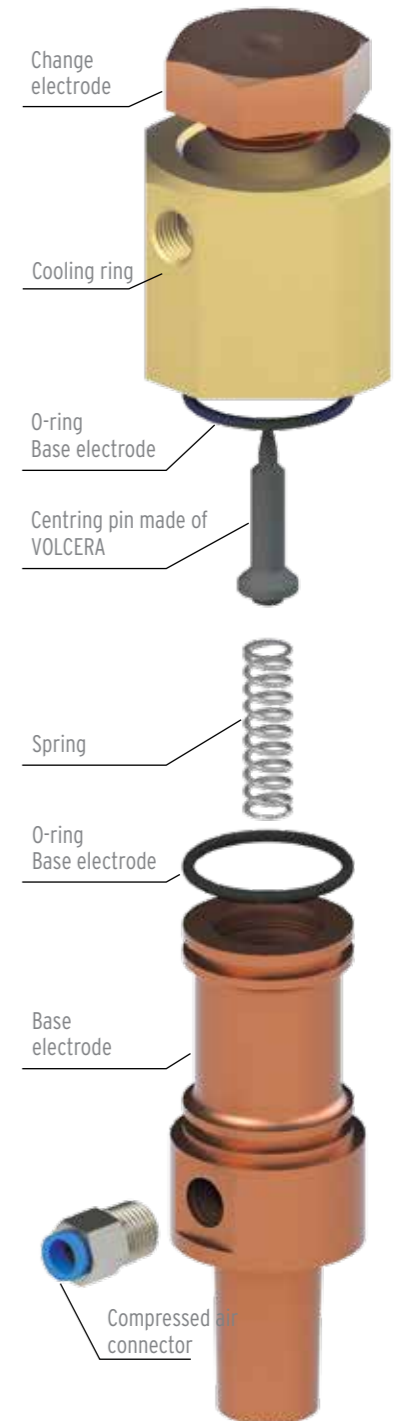


Item No.	R-type		C-type	
	1111-ZK-	1111-ZK-	1111-ZK-	1111-ZK-
M4, M5, M6, M8	20642	20643	20662	20663
M10, M12	20644	20645	20664	20665

Cooling ring



Item No.	Cooling ring		
	1113-ZK-	1113-ZK-	1113-ZK-
M4 to M8	19766	M10, M12	19767
C-type M4 to M8	19766	C-type M10 to M12	19769



Centring pins
See pages 28 to 29

